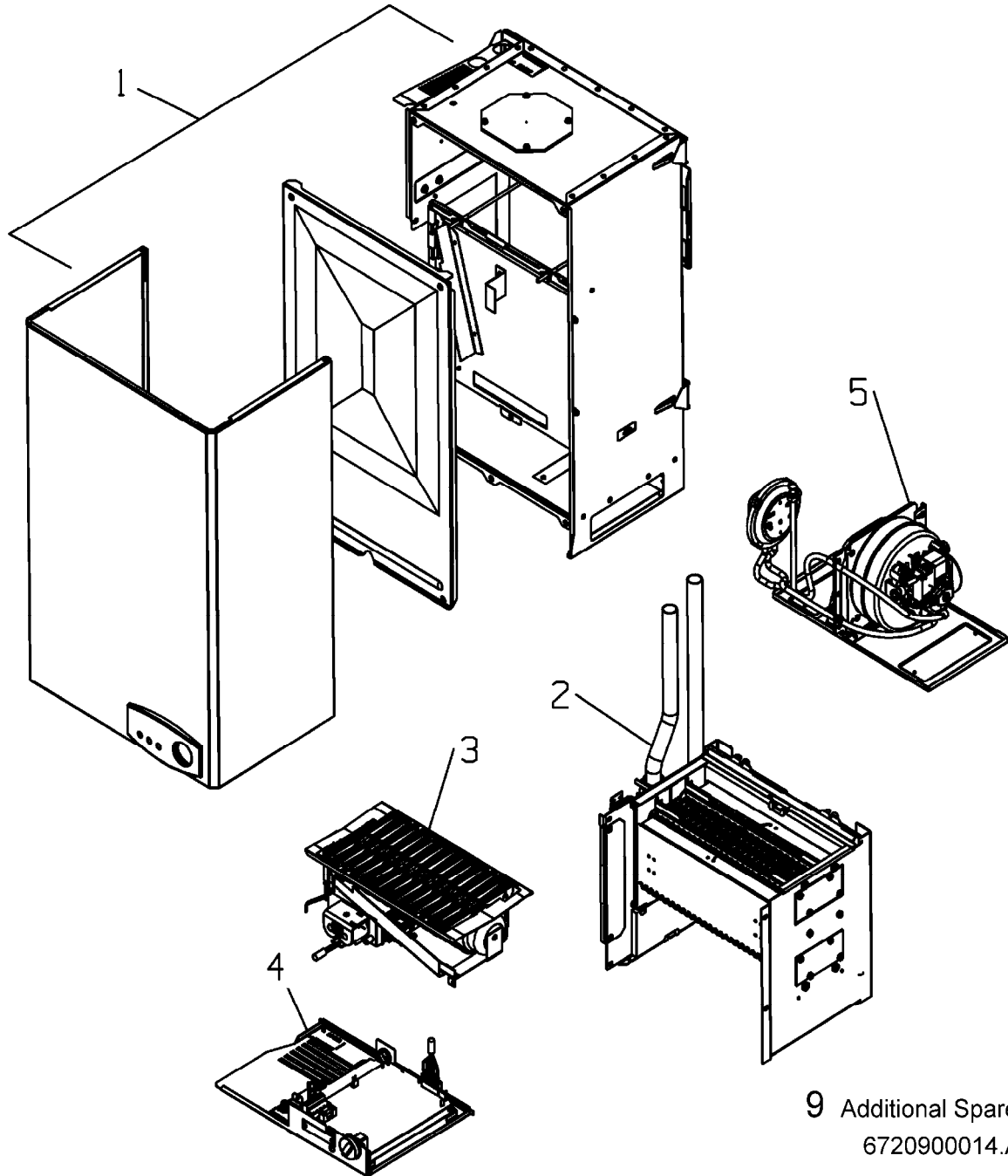
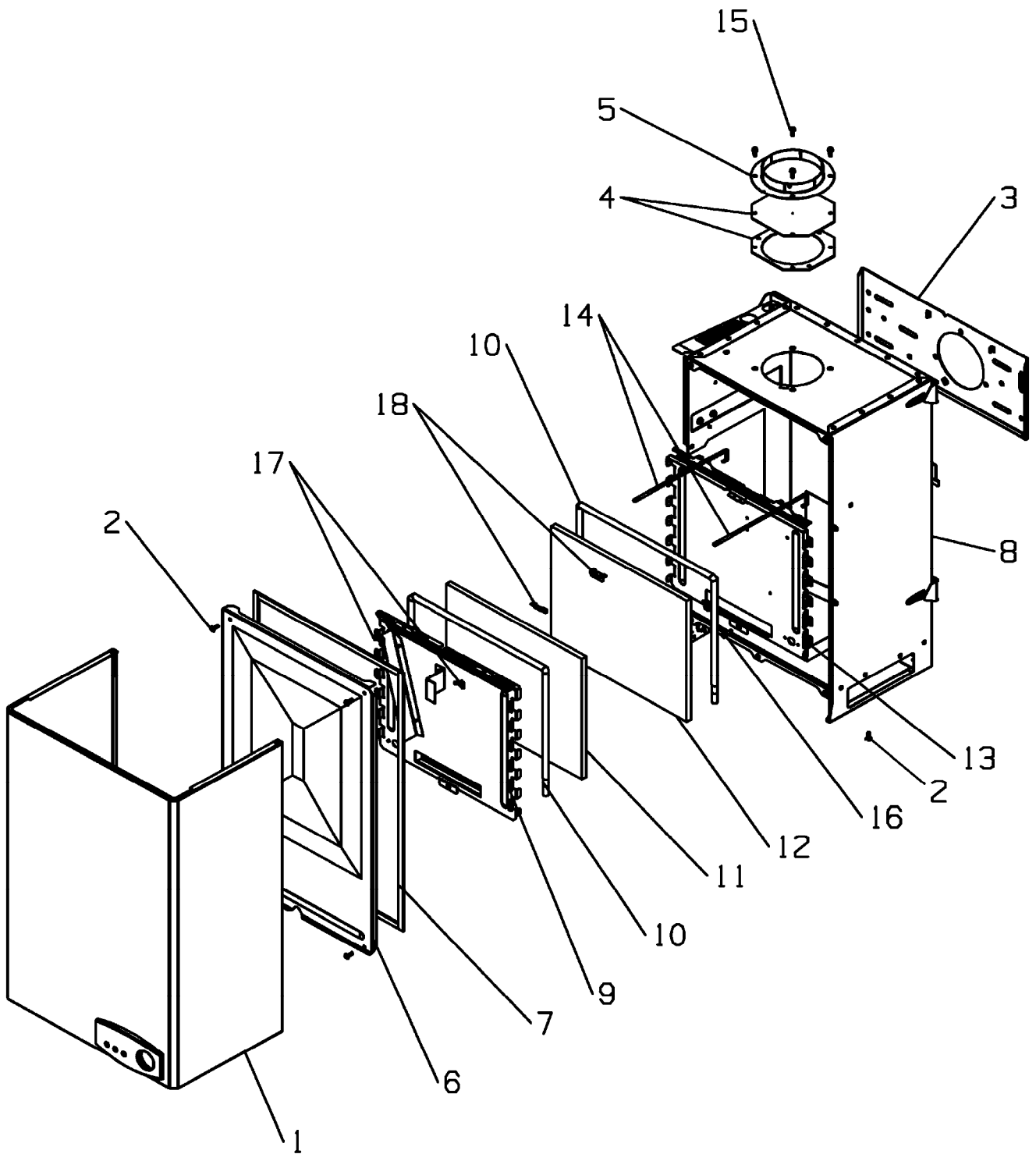


14/19 CBI



Spare parts list



6720900015.AA

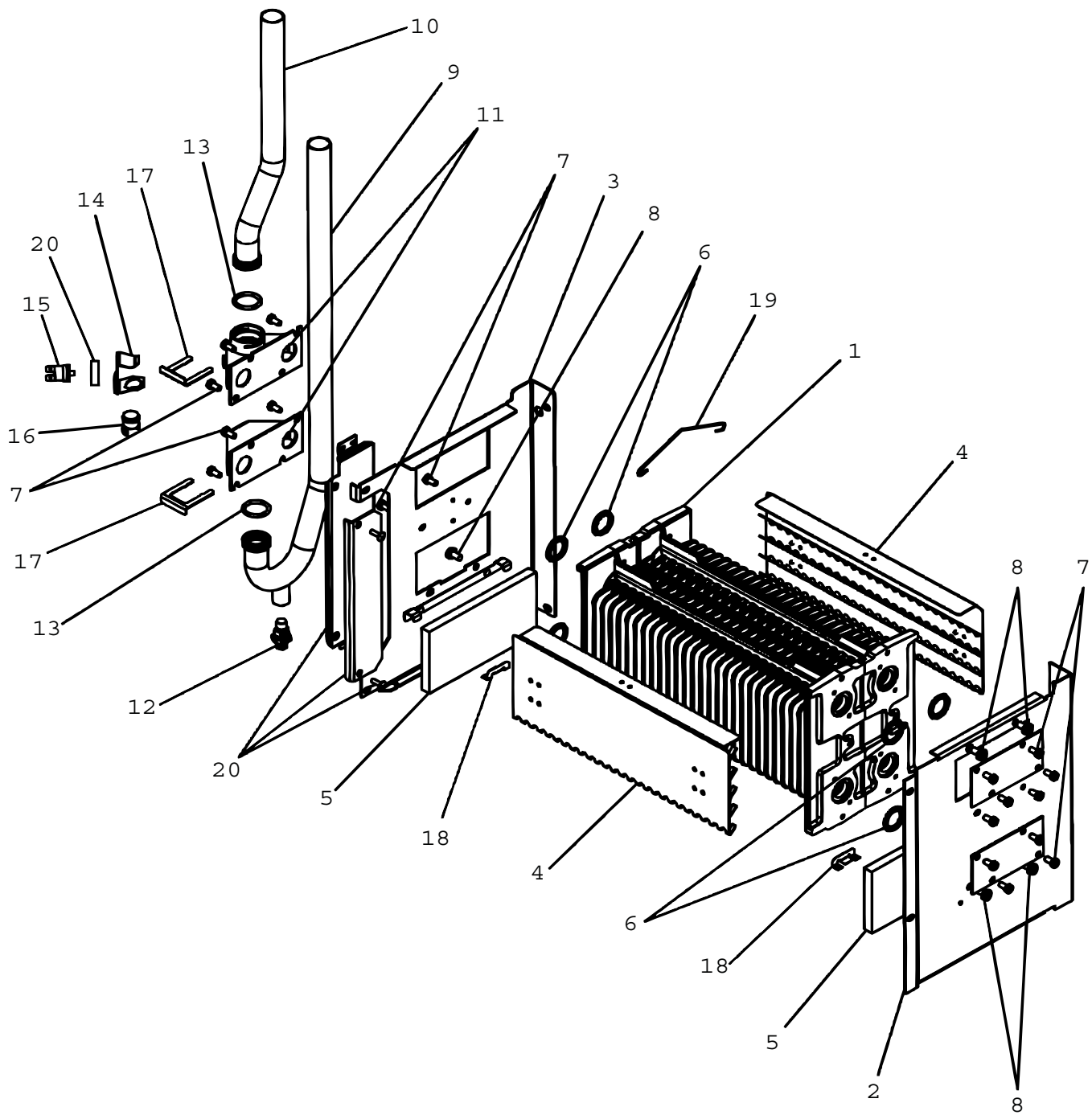
Superstructure / Case
D

14/19 CBI-FON 14/19 CBI-FOP

1

Pos	description	S-Nr	ordering no.	PG	gas type	14/19 CBI-FON	14/19 CBI-FOP														remarks
1	Casing assembly		8 716 104 545 0		LPG	■															
1	Casing assembly		8 716 104 545 0		NG	■															
2	Screw no.8x1/2 f/h type b self tap.		2 912 421 225 0	16	LPG	■															
2	Screw no.8x1/2 f/h type b self tap.		2 912 421 225 0	16	NG	■															
3	Wall plate		8 716 101 636 0		LPG	■															
3	Wall plate		8 716 101 636 0		NG	■															
4	Blanking plate/casing		8 716 101 598 0		LPG	■															
4	Blanking plate/casing		8 716 101 598 0		NG	■															
5	Flue spigot		8 716 101 592 0		LPG	■															
5	Flue spigot		8 716 101 592 0		NG	■															
6	Inner case door assy		8 716 121 794 0		LPG	■															
6	Inner case door assy		8 716 121 794 0		NG	■															
7	Inner door seal		8 716 140 956 0		LPG	■															
7	Inner door seal		8 716 140 956 0		NG	■															
8	Superstructure assembly		8 716 103 156 0		LPG	■															
8	Superstructure assembly		8 716 103 156 0		NG	■															
9	Combustion chamber front assembly		8 716 121 793 0		LPG	■															
9	Combustion chamber front assembly		8 716 121 793 0		NG	■															
10	Rope glass fibre 10mm		8 716 156 851 0		LPG	■															
10	Rope glass fibre 10mm		8 716 156 851 0		NG	■															
11	Insulation front		8 716 156 854 0		LPG	■															
11	Insulation front		8 716 156 854 0		NG	■															
12	Insulation rear		8 716 156 850 0		LPG	■															
12	Insulation rear		8 716 156 850 0		NG	■															
13	Combustion chamber rear assembly		8 716 121 755 0		LPG	■															
13	Combustion chamber rear assembly		8 716 121 755 0		NG	■															
14	J-bolt		8 716 143 074 0		LPG	■															
14	J-bolt		8 716 143 074 0		NG	■															
15	Screw no.8x12 hex pozi		8 716 155 073 0		LPG	■															
15	Screw no.8x12 hex pozi		8 716 155 073 0		NG	■															
16	Screw m5x16mm hexagon slotted head		2 911 131 158 0		LPG	■															
16	Screw m5x16mm hexagon slotted head		2 911 131 158 0		NG	■															
17	Nut-wing m5 ms zn pl table 2		2 915 191 105 0	15	LPG	■															
17	Nut-wing m5 ms zn pl table 2		2 915 191 105 0	15	NG	■															
18	Retainer - insulation		8 716 148 362 0		LPG	■															
18	Retainer - insulation		8 716 148 362 0		NG	■															
14/19 CBI-FON 14/19 CBI-FOP			Superstructure / Case D																	1	

Spare parts list



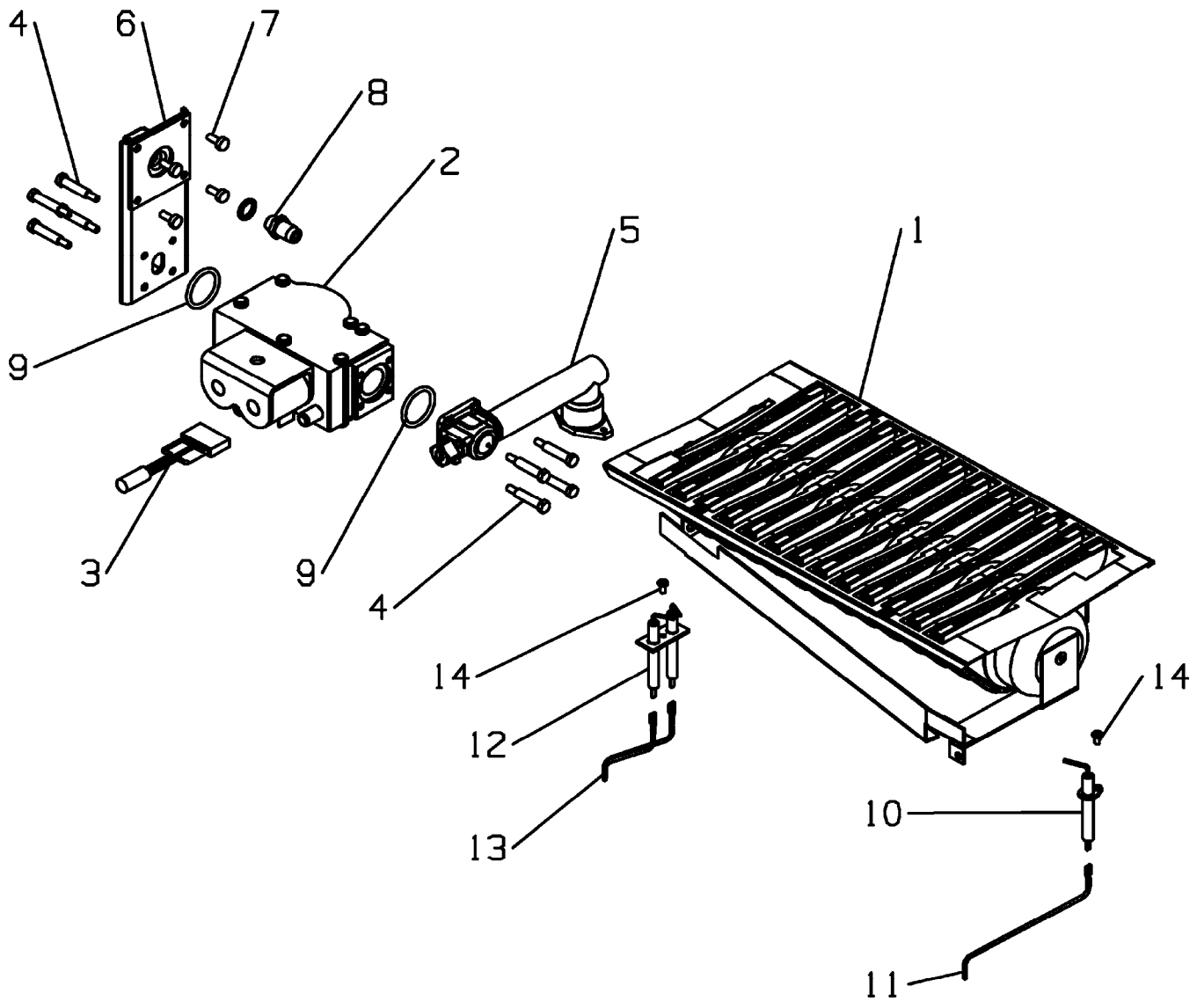
6720900016.AA

Heat exchanger / Pipes
D

14/19 CBI-FON 14/19 CBI-FOP

2

Spare parts list



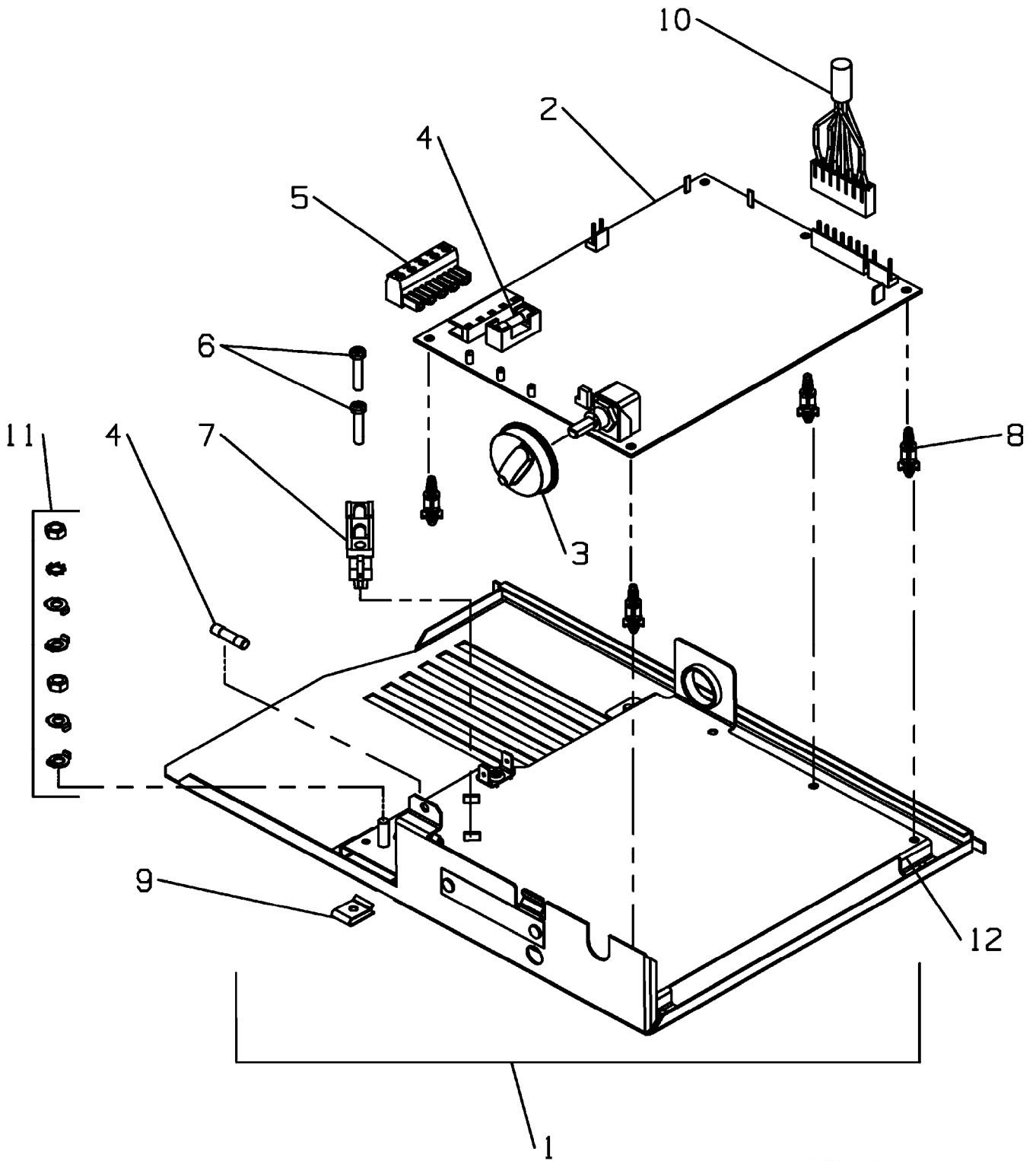
6720900017.AA

Gas valve / Burner
D

14/19 CBI-FON 14/19 CBI-FOP

3

Spare parts list



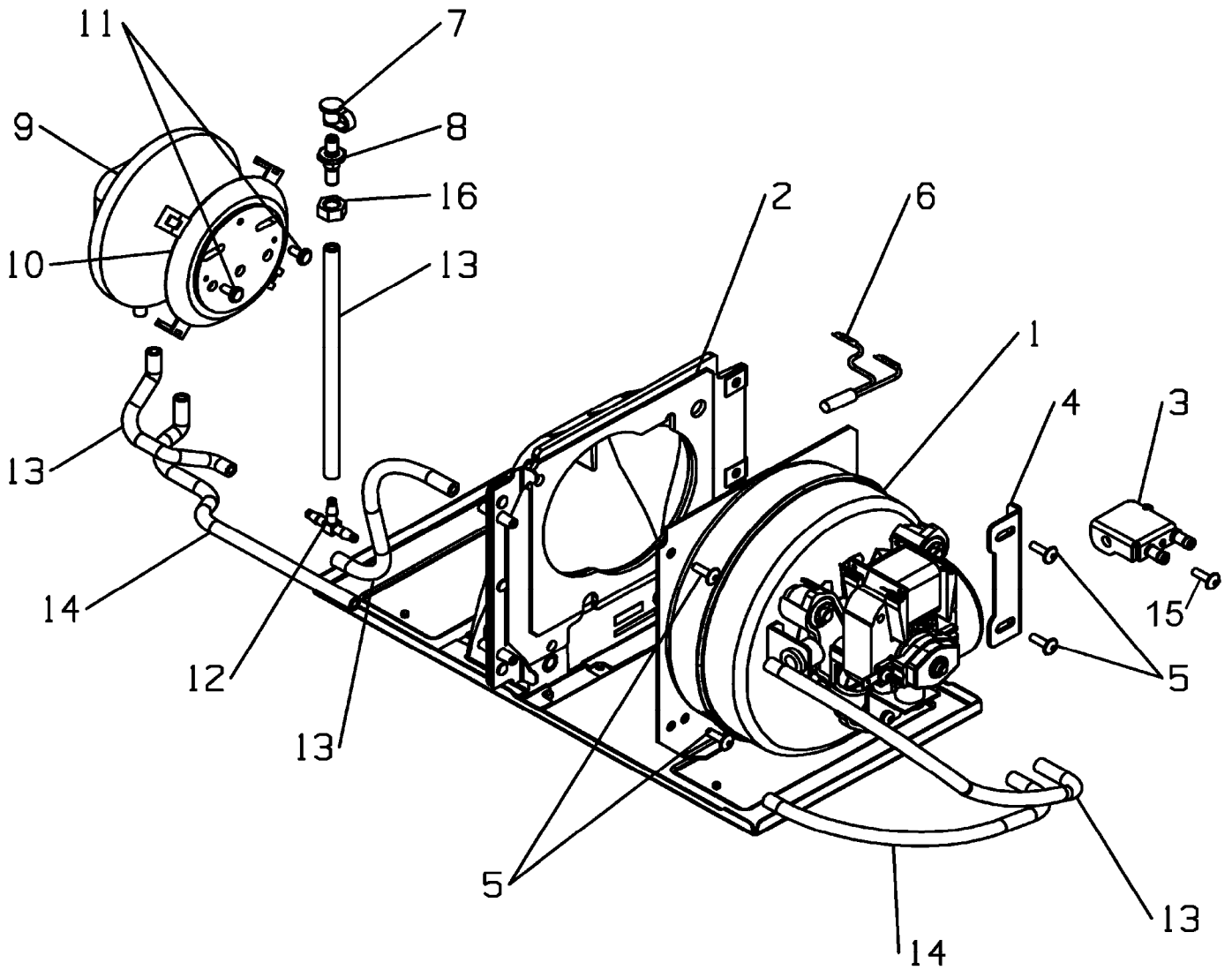
6720900013.AA

Electrical Box Assembly
D

14/19 CBI-FON 14/19 CBI-FOP

4

Spare parts list



6720900012.AA

Fan / Pressure Switch
D

14/19 CBI-FON 14/19 CBI-FOP

5

**ADDITIONAL SPARE PARTS
FOR APPLIANCE
NOT DRAWN**

9099

6720900999.AA

Additional Spare Part
D

9

14/19 CBI-FON 14/19 CBI-FOP

Pos	description	S-Nr	ordering no.	PG	gas type	14/19 CBI-FOP															remarks
	Conversion kit lpg to ng 14/19 cbi		7 716 192 276 0		LPG	■															
	CONVERSION KIT NAT GAS TO LPG 14/19 CB		7 716 192 277		LPG	■															
	Insulation kit 24CBI		8 716 101 796 0		LPG	■															
	Gas section sealing kit		8 716 101 798 0		LPG	■															
	Service kit 15/24cbi		8 716 101 799 0		LPG	■															
	Facia panel		8 716 103 183 0		LPG	■															
	Hardware - literature pack		8 716 103 185 0		LPG	■															
	CBI series user manual		8 716 103 191 0		LPG	■															
	CBI series serv & inst manual		8 716 103 192 0		LPG	■															
	Restrictor plate kit		8 716 103 193 0		LPG	■															
	Conversion kit lpg to ng 14/19 cbi		7 716 192 276 0		NG	■															
	CONVERSION KIT NAT GAS TO LPG 14/19 CB		7 716 192 277		NG	■															
	Insulation kit 24CBI		8 716 101 796 0		NG	■															
	Gas section sealing kit		8 716 101 798 0		NG	■															
	Service kit 15/24cbi		8 716 101 799 0		NG	■															
	Facia panel		8 716 103 183 0		NG	■															
	Hardware - literature pack		8 716 103 185 0		NG	■															
	CBI series user manual		8 716 103 191 0		NG	■															
	CBI series serv & inst manual		8 716 103 192 0		NG	■															
	Restrictor plate kit		8 716 103 193 0		NG	■															
14/19 CBI-FOP		Additional Spare Part D																		9	

List of translations

Pos				
1				
2				
3				
4				
5				
6				
7				
8				
9				
10				
11				
12				
13				
14				
15				
16				
17				
18				
2				
1				
2				
3				
4				
5				
6				
7				
8				
9				
10				
11				
12				
13				
14				
15				
16				
17				
18				
19				
20				
3				
1				
2				
3				
4				
5				
6				
7				
8				
9				
10				
11				
12				
13				
14				
4				
1				
Pos				

